

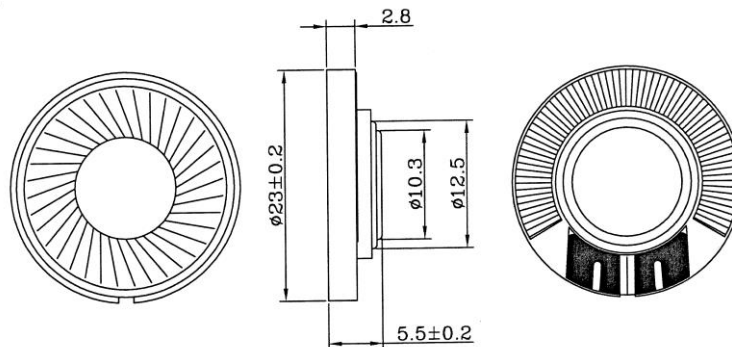
Lautsprecher LSF-23M/NT Art.-Nr.: 107070

Specification :

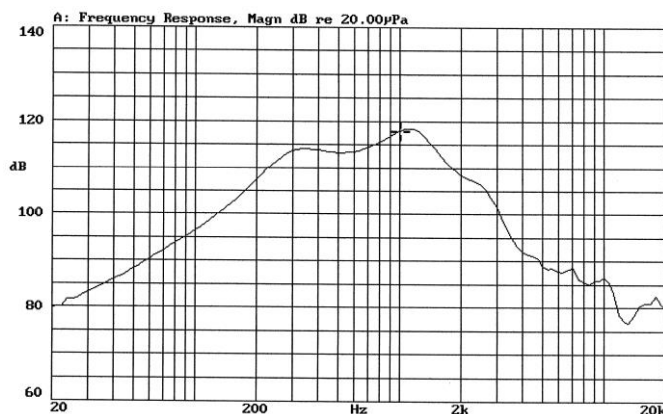
TYPE	UNIT	LSF-23M/NT
Impedance	Ω	$8 \pm 15\%$
Power (Nominal)	W	0.1
Power (Maximum)	W	0.2
Resonant Frequency	Hz	$220 \pm 20\%$
Sound Pressure Level	dB	117 ± 3
Frequency Range	Hz	170~18.000
Operating Temperature	$^{\circ}\text{C}$	-25~+50
Storage Temperature	$^{\circ}\text{C}$	-25~+60

Dimensions :

(Unit : mm)



Frequency Response :



Version 1 / 10/2021